

panel mounting socket outlet, straight - flange 75x75, System E Belgian/French standard



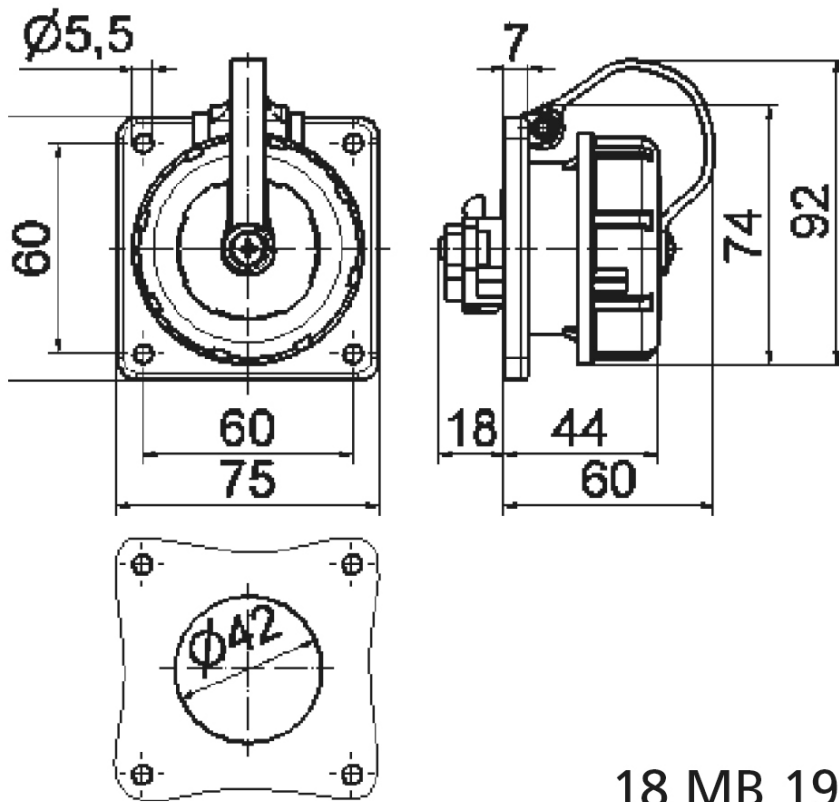
Product description	
BALS-Prd.-Nr	7153
EAN	4024941071536
Product group	Domestic panel mounting socket outlet, straight, System F German standard
Current	16A
Number of poles	3p
Arrangement of the phases	2P+PE
Voltage	250V
Frequency	alternating current (AC)

Product description	
Protection degree	IP68
Colour code	blue
Colour of appliance	Hinged lid blue
Connection design	head-screw terminal
Height	75mm
Width	75mm
Depth	78mm
Flange size vertical in mm	75mm
Flange size horizontal in mm	75mm
Drill hole distance vertical in mm	60mm
Drill hole distance horizontal in mm	60mm
Material of enclosure	Polyamide
Contacts	The contact carrier is made of high temperature resistant material, the contacts are brass nickel plated

Additional technical information	
	The connection is rear, With earth contact Belgian/French standard
	With hammer symbol
	With bayonet cover on strap

Logistics data	
Weight/pcs	0.136 kg / piece

Logistics data	
Packaging	bag
Content amount	1 ST
EAN	4024941071536
Length	410 mm
Width	285 mm
Weight	0.136 kg
Packaging	carton
Content amount	20 ST
EAN	4024941835664
Length	275 mm
Width	175 mm
Height	137 mm
Weight	2.845 kg
Volume	5,737.5 ccm



18 MB 19